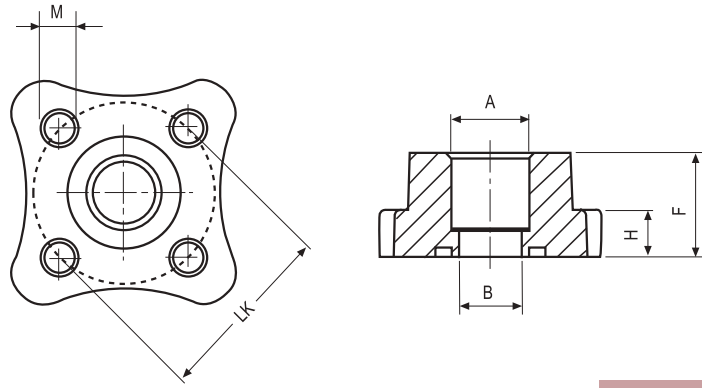


► BDZA ADAPTÖR

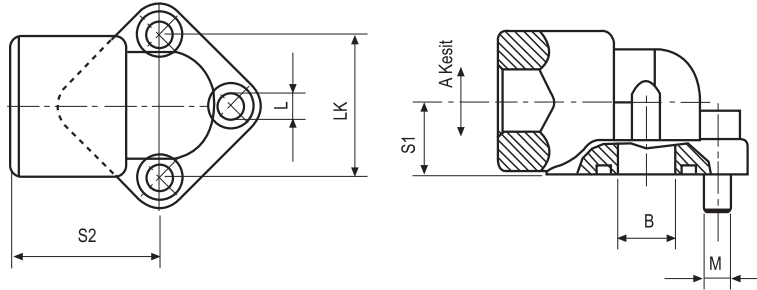
BDZA STRAIGHT FLANGE MOUNTING



Tip Type	Ölçüler / Dimensions					Vida / Bolt	O-Ring
	A	B	H	F	LK		
BDZA 430	R 3/8"	12	7,7	19	30	6x16	15x2,62
BDZA 435	R 3/8"	12	8,3	20	35	6x16	18,7x2,62
BDZA 440	R 1/2"	16	9,5	22	40	8x20	22x3
BDZA 448	R 3/4"	20	9,8	23	48	8x20	29x4
BDZA 451	R 3/4"	20	9,8	23	51	10x25	29x4
BDZA 456	R 3/4"	22	10,5	24	56	10x25	29x4

► 3 DELİKLİ DİRSEK ADAPTÖR

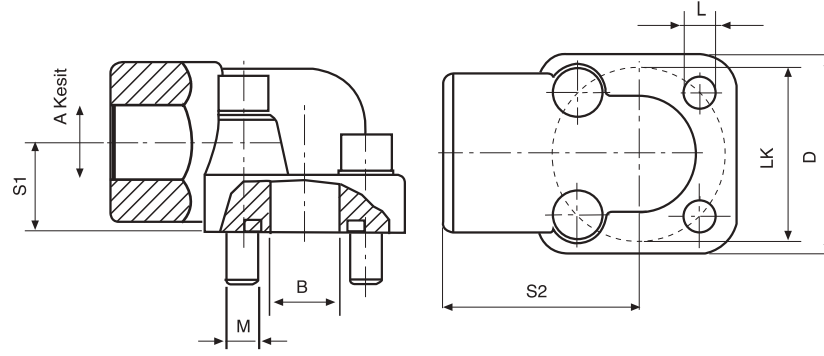
90° FLANGE MOUNTING WITH 3 HOLES



Tip Type	Ölçüler / Dimensions						Vida / Bolt	O-Ring
	A	B	S1	S2	L	LK		
BDRA 330-38	R 3/8"	12	18	27	6,5	30	6x16	15x2,62
BDRA 330-12	R 1/2"	12	18	27	6,5	30	6x16	18,7x2,62
BDRA 335-38	R 3/8"	14	19	30	6,5	35	6x16	18,72x2,62
BDRA 335-12	R 1/2"	14	19	30	6,5	35	6x16	18,72x2,62
BDRA 335-34	R 3/4"	14	19	30	6,5	35	6x16	18,72x2,62
BDRA 340-12	R 1/2"	19	22	38	8,5	40	8x20	22x3
BDRA 340-34	R 3/4"	19	22	38	8,5	40	8x20	22x3
BDRA 348-34	R 3/4"	19	27	44	8,5	48	8x20	29x4
BDRA 348-1	R 1"	19	27	44	8,5	48	8x20	29x4
BDRA 351-34	R 3/4"	24,5	27	45	11	51	10x25	29x4
BDRA 351-1	R 1"	24,5	27	45	11	51	10x25	29x4
BDRA 356-34	R 3/4"	24,5	27	45	11	56	10x25	29x4
BDRA 356-1	R 1"	24,5	27	45	11	56	10x25	29x4

► 4 DELİKLİ DİRSEK ADAPTÖR

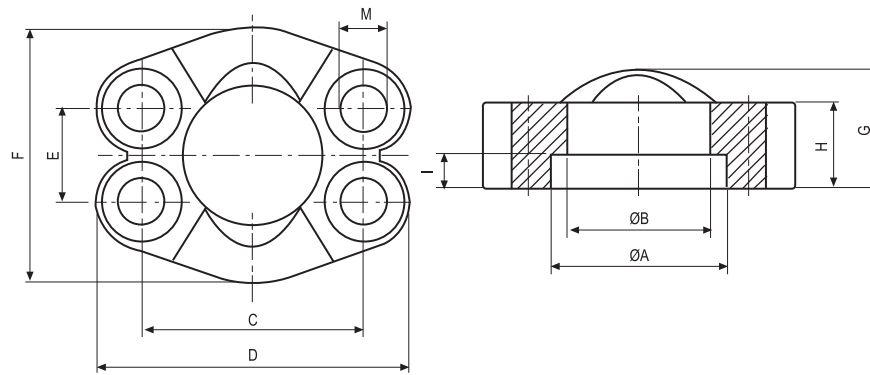
90° FLANGE MOUNTING WITH 4 HOLES



Tip Type	Ölçüler / Dimensions						Vida / Bolt	O-Ring
	A	B	S1	S2	L	LK		
BDRA 435-38	R 3/8"	14	17,5	40	6,5	35	6x20 - 6x35	18,72x2,62
BDRA 435-12	R 1/2"	14	17,5	40	6,5	35	6x20 - 6x35	18,72x2,62
BDRA 440-12	R 1/2"	17	20	46	6,5	40	6x20 - 6x35	22x3
BDRA 440-34	R 3/4"	17	20	46	6,5	40	6x20 - 6x35	22x3

► FLANŞ KEP ADAPTÖR

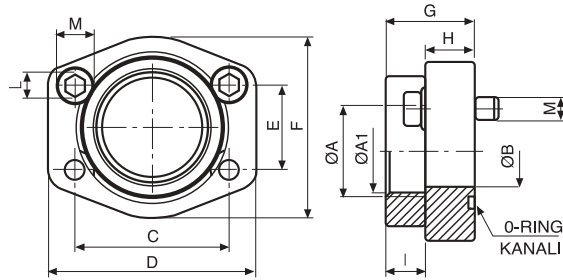
FLANGE CLAMP



Nominal değer Nominal worth	Tip Type	Ölçüler / Dimensions									Vida / Bolt
		A	B	C	D	E	F	G	H	I	
BSAE-FK 1/2"	3000 PSI	30,96	24,26	38,10	54	17,48	22,8	19	13	6,22	M 8
BSAE-FK 3/4"	3000 PSI	38,89	32,13	47,63	65	22,23	25,9	22	14	6,22	M 10
BSAE-FK 1"	3000 PSI	45,24	38,48	52,37	70	26,19	29,2	24	16	7,49	M 10
BSAE-FK 1 1/4"	3000 PSI	51,59	43,69	58,72	79	30,18	36,6	22	16	7,49	M 10
BSAE-FK 1 1/2"	3000 PSI	61,09	50,80	69,85	94	35,71	41,1	25	16	7,49	M 12
BSAE-FK 2"	3000 PSI	72,24	62,74	77,77	102	42,88	48,2	26	16	9,02	M 12
BSAE-FK 1/2"	6000 PSI	32,54	24,64	40,49	56	18,24	23,6	22	16	7,24	M 8
BSAE-FK 3/4"	6000 PSI	42,06	32,51	50,8	71	23,80	30	28	20	8,26	M 10
BSAE-FK 1"	6000 PSI	48,41	38,86	57,16	81	27,76	34,8	33	25	9,02	M 12
BSAE-FK 1 1/4"	6000 PSI	54,76	44,45	66,68	95	31,75	38,6	38	27	9,78	M 14
BSAE-FK 1 1/2"	6000 PSI	64,29	51,56	79,38	113	36,50	47,5	43	30	12,07	M 16
BSAE-FK 2"	6000 PSI	80,16	67,56	96,82	133	44,45	56,9	52	37	12,07	M 20

► BSAE, BSAE-K (KAYNAKLI),
BSAE-OK (ORİNGLİ KAYNAKLI)
ADAPTÖRLER

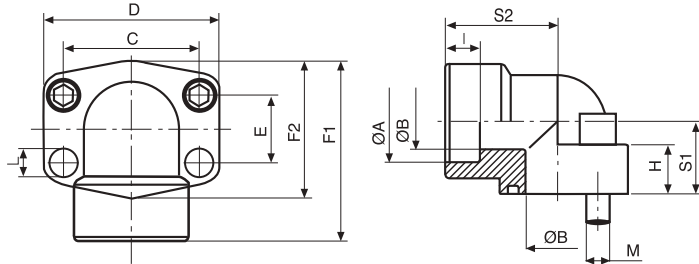
BSAE, BSAE-K, BSAE-OK
FLANGE MOUNTING (WELD)



Nominal değer	Tip / Type	Ölçüler / Dimensions											Vida / Bolt
Nominal worth		A	A1	B	C	D	E	F	G	H	I	L	M
BSAE 1/2"	3000 PSI	R 1/2"	21,6	13	38	54	17,5	45	34	16	19	8,5	8
BSAE 3/4"	3000 PSI	R 3/4"	27,2	19	47,6	65	22,2	50	34	16	21,5	11	10
BSAE 1"	3000 PSI	R 1"	34	25	52,4	70	26,2	55	36	18	23,5	11	10
BSAE 1 1/4"	3000 PSI	R 1 - 1/4"	42,8	32	58,7	79	30,2	68	42	21	26	11	10
BSAE 1 1/2"	3000 PSI	R 1-1/2"	48,6	38	70	93	35,7	78	44	25	29	13,5	12
BSAE 2"	3000 PSI	R 2"	61	51	77,8	102	42,9	90	44	25	31	13,5	12
BSAE 1/2"	6000 PSI	R 1/2"	21,6	13	40,49	54	18,24	46	36	16	19	9	8
BSAE 3/4"	6000 PSI	R 3/4"	27,2	19	50,8	71	23,8	55	35	21	22	11	10
BSAE 1"	6000 PSI	R 1"	34	25	57,15	81	27,76	65	42	25	22	13	12
BSAE 1 1/4"	6000 PSI	R 1-1/4"	42,8	32	66,68	95	31,75	78	45	27	25	15	14
BSAE 1 1/2"	6000 PSI	R 1-1/2"	48,6	38	79,38	112	36,5	94	50	30	28	17,5	16
BSAE 2"	6000 PSI	R 2"	61	51	96,82	134	44,45	114	65	37	24	21	20

► BSAE-D DİRSEK ADAPTÖR

BSAE-D 90° FLANGE MOUNTING



Nominal değer	Tip/Type	Ölçüler / Dimensions												Vida / Bolt
Nominal worth		A	B	C	D	E	F1	F2	H	I	L	S1	S2	M
BSAE-D 1/2"	3000 PSI	R 1/2"	13	38,10	54	17,48	60	48	16	19	9	20	37	M8 x 30
BSAE-D 3/8"	3000 PSI	R 3/8"	13	38,10	54	17,48	60	48	16	19	9	20	37	M8 x 30
BSAE-D 3/4"	3000 PSI	R 3/4"	19	47,63	65	22,23	63	52	18	19	11	24	38	M10 x 35
BSAE-D 1"	3000 PSI	R 1"	25	52,37	70	26,19	70	60	19	20	11	28	43	M10 x 35
BSAE-D 1 1/4"	3000 PSI	R 1-1/4"	32	58,72	79	30,18	85	73	21	22	11,5	34	51	M10 x 40
BSAE-D 1 1/2"	3000 PSI	R 1 1/2"	38	69,85	93	35,71	95	83	25	25	13,5	38	56	M12 x 45
BSAE-D 2"	3000 PSI	R2"	51	77,77	110	42,88	110	94	25	28	13,5	42	65	M12 x 45
BSAE-D 1/2"	6000 PSI	R 1/2"	13	40,49	54	18,24	60	46	16	19	9	20	37	M8 x 30
BSAE-D 3/8"	6000 PSI	R 3/8"	13	40,49	54	18,24	60	46	16	19	9	20	37	M8 x 30
BSAE-D 3/4"	6000 PSI	R 3/4"	19	50,80	70	23,80	70	56	19	20	11	28	43	M10 x 35
BSAE-D 1"	6000 PSI	R 1"	25	57,15	79	27,76	85	72	21	22	13	34	51	M12 x 45
BSAE-D 1 1/4"	6000 PSI	R1 1/4"	32	66,68	93	31,75	95	75	25	25	15*	38	56	M14 x 50
BSAE-D 1 1/2"	6000 PSI	R 1 1/2"	38	79,38	110	36,50	110	94	25	28	17	42	65	M16 x 50
BSAE-D 2"	6000 PSI	R2"	51	96,82	134	44,50	150	106	26,5	28	21	60	92	M20 x 110

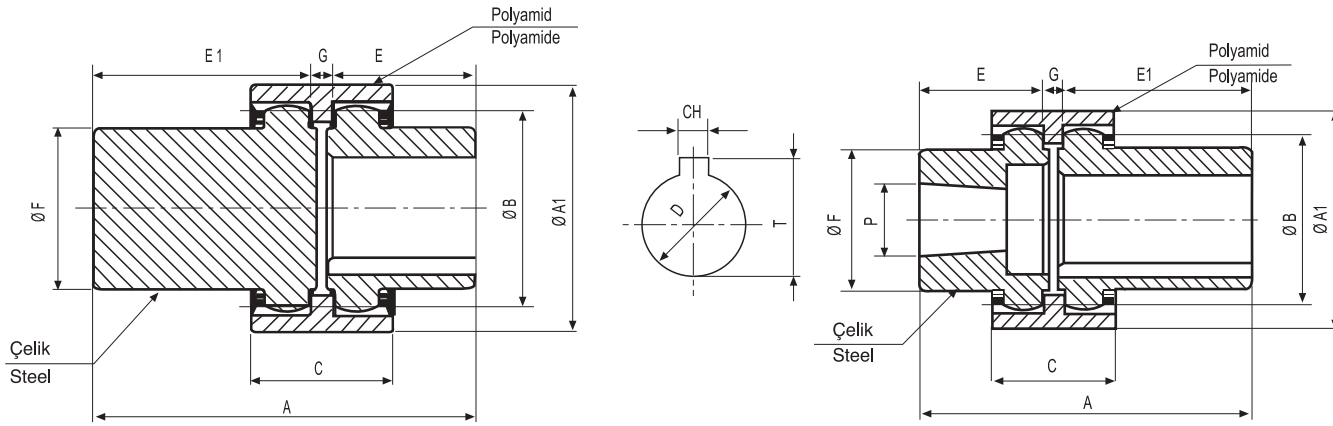
► UZUN NORMAL & UZUN İŞLENMİŞ KAPLINLER

LONG FLEXIBLE & LONG TREATED FLEXIBLE COUPLINGS

11

► SD 1040 malzemeden üretilen bu ürünler pompa milini elektrik motoru miline akuple etmekte kullanılırlar.

They are produced SD 1040 steel material and they are used to mount rod of pump to rod of engine.



ACCESSORIES

Tip Type	Motor Gücü Motor Power		Kaplın Ölçüleri Coupling Dimensions									Mak. İşlenebilir Çap. Max. Operation Dia.			İşlenmiş Çap Treated Diameter	
	KW	HP	A	A1	B	F	E	E1	C	G	D	CH	T	Motor - Engine D	Pompa - Pump P	
UZUN																
U-DK 14	0,25-0,38	0,35 - 0,5	56	40	32	24	24	30	28	2	14	5	16,5	-- -- -- 14	OP --	
U-DK 24	1,1 - 1,5	1,5 - 2	70	53	44	36	28	40	37	2	24	6	27	-- 14 19 24	OP-1P1 --	
U-DK 28	2,2 - 4	3 - 5,5	97	67	57	44	40	60	40	2	28	8	32	-- 19 24 28	OP-1P1 2P1	
U-DK 32	2,2 - 4	3 - 5,5	97	76	59	50	40	60	43	2	32	8	36	-- 19 24 28	1P1 2P1	
U-DK 38	5,5 - 7,5	7,5 - 10	104	84	68	58	42	62	47	2	38	10	42	19 24 28 38	1P1 2P1	
U-DK 42	11 - 15	15 - 20	104	88	72	60	42	62	47	2	42	12	47	24 28 38 42	1P1 2P1	
U-DK 48	18,5 - 22	25 - 30	114	99	78	68	47	67	47	2	48	14	53	28 38 42 48	1P1 2P1	
U-DK 55	30	40	127	121	99	85	55	75	58	2	55	16	62	38 42 48 55	1P1 2P1	
U-DK 60	37 - 45	50 - 60	150	138	112	91	68	85	68	2	60	18	67	42 48 55 60	1P1 2P1	